



HCF Series

COMMERCIAL SAND FILTERS

Next generation, high performance filtration and longer service life, available in 30", 34" and 36" models



The next generation HCF Series Sand Filters resets the bar for quality and performance in the recreational water market. This new line of filters builds on its existing fully-engineered design by incorporating many exciting new features. The new rapid open/close tool-free lid mechanism features an industrial-grade yoke assembly and a massive 12" x 16" manway with two viewing windows to allow for visual inspection while filter is in operation. Along with non-corrosive glass filled ABS legs, these new features afford users and service personnel an unprecedented level of convenience in media loading and filter inspection. The infusion molded, gel-coated thermoset fiberglass structure is complemented with oversized, grid-array laterals to improve filtration and lengthen filter cycle time. The range has expanded to address the requirements of the renovation/replacement market with the introduction of new 34" models capable of fitting through standard 36" doors.

- Commercial-grade, 1 1/2", self cleaning injection molded, 180° slotted laterals arranged in a grid-array provide superior filtration performance
- Industrial-grade, infusion molded, gel-coated, multi-layer, glass-reinforced, thermoset composite structure
- Self leveling, injection molded support legs, permanently bonded to the tank, suitable for Zone 4 earthquake conditions
- Large 12" x 16" top opening for easy media loading and filter inspection
- Full 1" bottom media drain including 3/4" integral water drain with media screen
- NSF listed

HCF Series

COMMERCIAL SAND FILTERS

FEATURES

Lid yoke closure - tool-free seal

Internally mounted 12" x 16" lid with clear viewing windows and O-ring positive seal

Dual (HCF302T) or triple head [(HCF342T, HCF343T, HCF343F, HCF362T) and quadruple HCF363T, HCF363F] diffusers for optimized distribution

Horizontal lateral grid-array yields longer cycle time, improved filtration and more efficient backwashing



Industrial-grade Hayward® Flow Control bulkhead fittings

- 30" model standard with 2" pipe connections
- 34" standard with 2" or 3" pipe connections
- 36" standard with 2" or 3" pipe connections
- 3" flange connections standard on the HCF343F and HCF363F



Support Legs

- Provides easy access to drain
- Self-leveling design
- Seismic rated

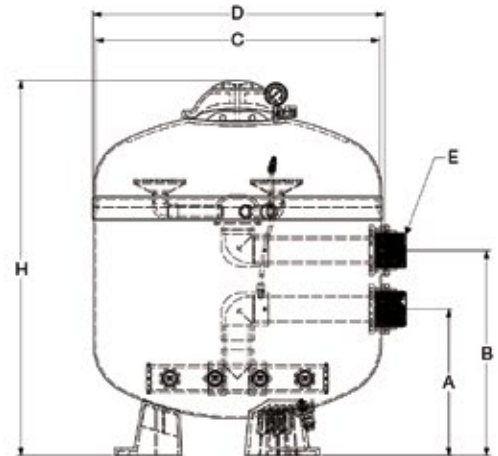


Tool-free, commercial-grade, internally mounted, top lid with two viewing windows and O-ring seal



1 1/2", commercial-grade, injection molded, 180° slotted lateral

DIMENSIONS



TECHNICAL SPECIFICATIONS AND PERFORMANCE DATA

Description	Specifications						
Part Number	HCF302T	HCF342T	HCF343T	HCF343F	HCF362T	HCF363T	HCF363F
Size / Description	30" Fiberglass Sand Filter	34" Fiberglass Sand Filter	34" Fiberglass Sand Filter	34" Fiberglass Sand Filter	36" Fiberglass Sand Filter	36" Fiberglass Sand Filter	36" Fiberglass Sand Filter
Filtration Area Ft ²	4.9	6.3	6.3	6.3	7.2	7.2	7.2
Filtration Rate GPM/Ft ²	5 - 20	5 - 20	5 - 20	5 - 20	5 - 20	5 - 20	5 - 20
Filtration Flow Rate (GPM)	98	126	126	126	143	143	143
Backwash Flow Rate (GPM)	25 - 98	32 - 126	32 - 126	32 - 126	36 - 143	36 - 143	36 - 143
Maximum Working Pressure (PSI)	50	50	50	50	50	50	50
Vertical Clearance	42.5"	47.5"	47.5"	47.5"	48.5"	48.5"	48.5"
Side Clearance	30"	34"	34"	34"	36.25"	36.25"	36.25"
Media Required (sand)	650 lbs	950 lbs	950 lbs	950 lbs	1050 lbs	1050 lbs	1050 lbs
Inlet / Outlet Size	2"	2"	3"	3"	2"	3"	3"
Carton Quantity	1	1	1	1	1	1	1
Carton Weight (lbs)	185 lbs	196 lbs	196 lbs	200 lbs	201 lbs	201 lbs	201 lbs

Part No.	Dimensions					H	Characteristics
	A	B	C	D	E		
HCF302T	16.5"	24"	30"	30.625"	2"	42.5"	650 lbs
HCF342T	18.75"	26.25"	34"	34.5"	2"	47.5"	950 lbs
HCF343T	18.75"	26.25"	34"	34.5"	3"	47.5"	950 lbs
HCF343F	18.5"	26.22"	34"	34.5"	3"	47.5"	950 lbs
HCF362T	18.75"	26.25"	36.25"	37"	2"	48.5"	1050 lbs
HCF363T	18.75"	26.25"	36.25"	37"	3"	48.5"	1050 lbs
HCF363F	18.5"	26.22"	36.25"	37"	3"	48.5"	1050 lbs

OPTIONAL ACCESSORIES

Part Number	Size / Description	Carton Quantity	Carton Weight (lbs.)
HCV20715	2" Multiport Valve Kit	1	10.8
HCV30798	3" Multiport Valve	1	22.0

2" Multiport Valve Kit

- Factory plumbed to fit HCF302T and HCF342T filters
- Simplifies filter installation and operation
- Six mode selections at the turn of a single lever
- 2" union connectors included
- Accommodates flow rates to 125 GPM

3" Multiport Valve

- Valve body features both side-mount and bottom-mount ports
- Durable ABS construction
- Accommodates flow rates to 330 GPM
- Six mode selections at the turn of a single lever



Commercial Pool Products • 10101 Molecular Drive #200 • Rockville, MD 20850 • 1-800-657-2287

Hayward is a registered trademark of Hayward Industries, Inc. © 2012 Hayward Industries, Inc.

HAYWARD

To visit our website type www.haywardcommercialpool.com or scan the QR code from your mobile device

